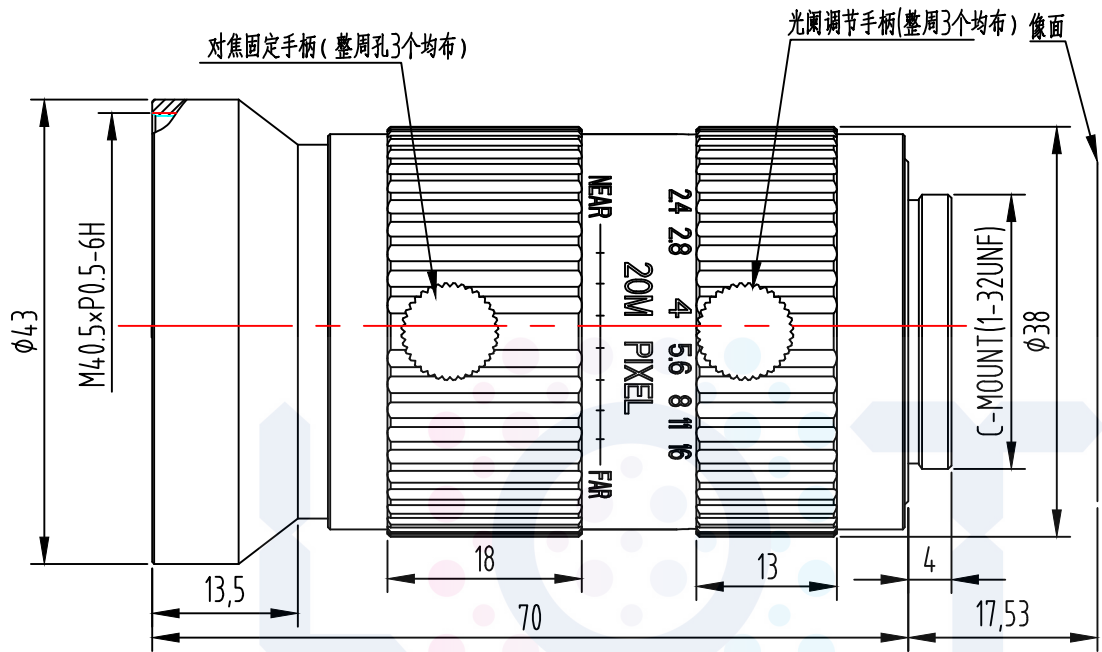


RoHS HF REACH

1.1" F2.4/16MM /2OMEGA/C MOUNT

FOCAL LENGTH	f=16MM
F.NO	F=1:2.4--16
FOCUS DISTANCE	0.1M
FLANGE BACK	17.526MM IN AIR
BACK FOCUS	25.58
FILTER SCREW SIZE	M4.0.5*P0.5
MOUNT	C
REL. ILLUMINATION	≥65%
Front/Rear Effective Dia	Front φ34.2 Rear φ16.2

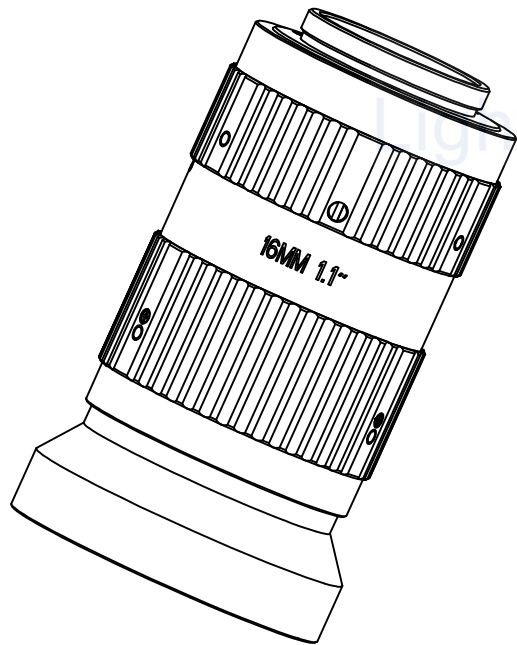


FIELD OF VIEW	SENSOR	1.1"	1"	2/3"
	D	55.7°	51.5°	36.9°
	H	46.1°	42.4°	30°
V	35.5°	32.5°	22.7°	

TV DISTORTION	<0.3%	<0.2%	<0.15%
---------------	-------	-------	--------

WORKING DISTANCE	OPTICAL MAGNIFICATION	1.1" FIELD OF VIEW	
MM		H	V

5000	0.003X	4259.51	3194.633
2000	0.008X	1718.121	1288.59
1000	0.016X	870.896	653.172
900	0.018X	786.159	589.619
800	0.020X	701.417	526.062
700	0.023X	616.665	462.499
600	0.026X	531.902	398.926
500	0.031X	447.119	335.339
400	0.039X	362.303	271.727
350	0.044X	319.876	239.907
300	0.051X	277.427	208.070
250	0.060X	234.948	176.211



外观标准	60--40	200	0.073X	192.418	144.313
WORKING TEMPERATURE	-40°C~80°C	150	0.094X	149.799	112.35
STORAGE TEMPERATURE	-40°C~85°C	100	0.132X	107.004	80.253

Common Tolerance	④				
Angle	±0.5°	③			
0.000	±0.01	②			
0.00	±0.03	①			
0.0	±0.05	Rev	Description	Name	Date
0	±0.1				
		Design	Examine	Checked	Approved

Material:	/
3RD_ANGLE_PROJ	Model: 16MM-1.1"-20M-C MOUNT
Unit	mm
Scale	2:1
Ver	00
Date	2018.10.10
Part Name:	
Dwg No:	