

RoHS HF REACH

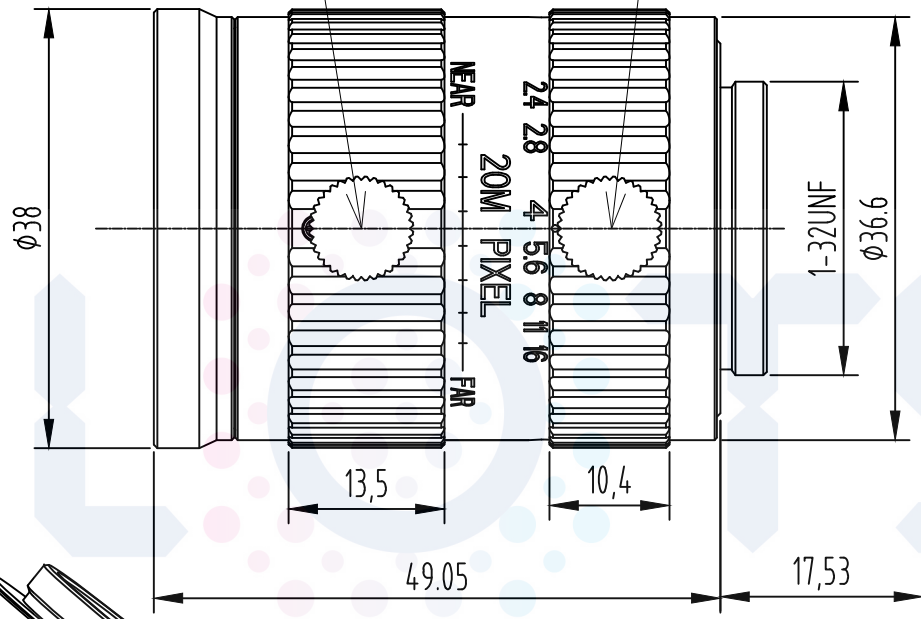
1.1" F2.4/35MM /2OMEGA/C MOUNT

FOCAL LENGTH	f=35MM
F.NO	F=1:2.4--16
FOCUS DISTANCE	0.2M--无穷远
FLANGE BACK	17.526MM IN AIR
BACK FOCUS	22.2
FILTER SCREW SIZE	M35.5*P0.5
MOUNT	C
REL. ILLUMINATION	≥70%
Front/Rear Effective Dia	Front φ21.5 Rear φ17.2

3个调焦手柄整周均布

3个光栏手柄整周均布

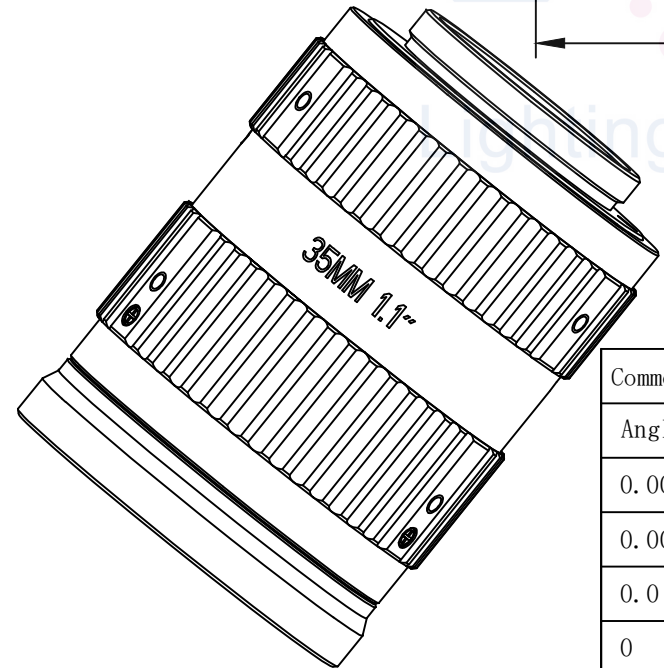
像面



FIELD OF VIEW	SENSOR	1.1"	1"	2/3"
	D	26.3°	24.4°	16.9°
	H	21.5°	19.6°	13.6°
	V	16.3°	14.8°	10.2°
TV DISTORTION		<0.1%	<0.05%	<0.05%

WORKING DISTANCE	OPTICAL MAGNIFICATION	1.1" FIELD OF VIEW	
		H	V
MM			
5000	0.007X	2079.072	1559.304
2000	0.017X	824.332	618.249
1000	0.035X	406.235	304.676
900	0.039X	364.451	273.338
800	0.044X	322.678	242.009
700	0.05X	280.924	210.693
600	0.059X	239.197	179.398
500	0.071X	197.519	148.139
400	0.090X	155.928	116.946
350	0.104X	135.193	101.395
300	0.123X	114.527	85.896
250	0.150X	93.978	70.483
200	0.191X	73.636	55.227

外观标准	60--40
WORKING TEMPERATURE	-40°C~80°C
STORAGE TEMPERATURE	-40°C~85°C



Common Tolerance	④				
	③				
Angle	±0.5°				
	②				
0.000	±0.01				
	①				
0.00	±0.03				
	①				
0.0	±0.05				
	①				
0	±0.1				

Material:	/
3RD_ANGLE_PROJN	
Model:	35MM-1.1"-20M-C MOUNT
Part Name:	
Dwg No:	
Unit	mm
Scale	2:1
Ver	00
Date	2018.09.18